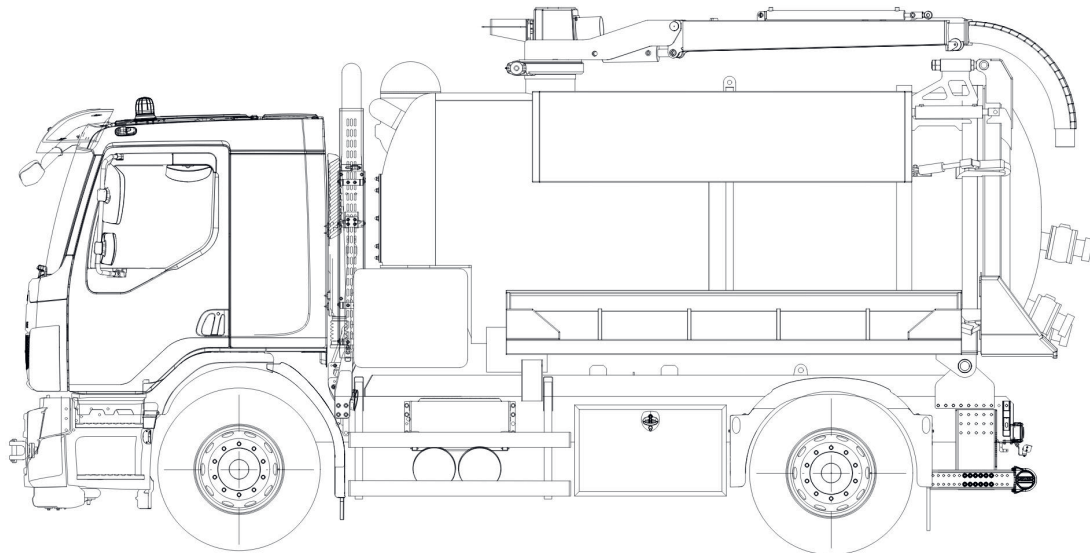


Gully Cleaner - Dutch design



Chassis

Manufacturer VOLVO
 Type FE 320
 Axle Configuration 4x2
 HP 320

Weights

GWV kg 20.500
 Weight technical kg 18.000
 Gearbox Automatic

Superstructure

Manufacturer Krüger Fahrzeugbau
 Type SSP6,5-1,5-0,8
 Tank material Stainless Steel S355
 Emptying Tipper

Total Volume l 8.800
 Water Chamber l 1.500
 Mud Chamber l 6.500

Sizes/Weight

L x W x H mm 6.750 x 2550 x 3.620
 Wheelbase mm 3.900
 Payload kg 7.250



High-Pressure System

Manufacturer Speck
 Type NP25/70-120
 Performance appr. 70l/min. @ 120 bar
 High-Pressure Hose 1 60m DN13
 High-Pressure Hose 2 15m DN10

High-Pressure System II

Manufacturer Aquabar
 Type PR150/30 17
 Performance appr. 30l/min. at 50 bar

Vacuum System

Manufacturer Samson
 Type Truck Master 2500
 Performance appr. 1.980m³/h
 Suction Hose 1 6m DN 125

Notes

.....

